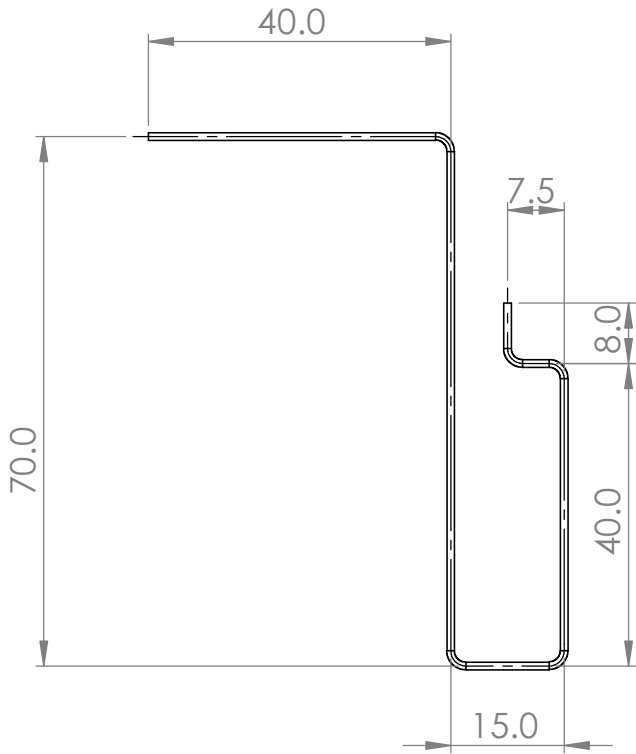
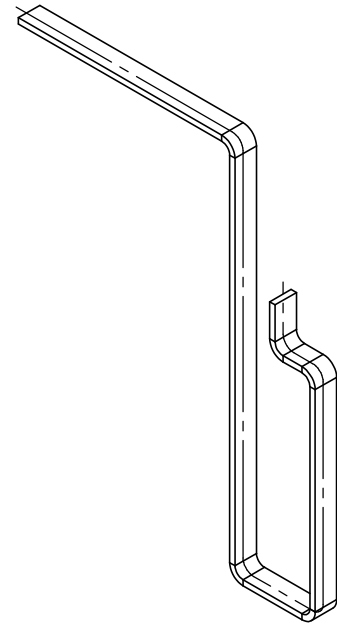


PAWEL ROZENEK MOPPR
WWW.ROZENEK.COM



UNLESS OTHERWISE SPECIFIED:
DIMENSIONS ARE IN MILLIMETERS
SURFACE FINISH:
TOLERANCES:
LINEAR:
ANGULAR:

FINISH:

DEBURR AND
BREAK SHARP
EDGES

DO NOT SCALE DRAWING

REVISION **3**

	NAME	SIGNATURE	DATE
DRAWN	MOPPR		30SEP2022
CHK'D			
APPV'D			
MFG			
Q.A			

TITLE:	
MATERIAL:	COPPER
DWG NO.	[AL100] - Coupling Loop Bar TX (R)
WEIGHT:	
SCALE: 1:1	SHEET 1 OF 1

A4